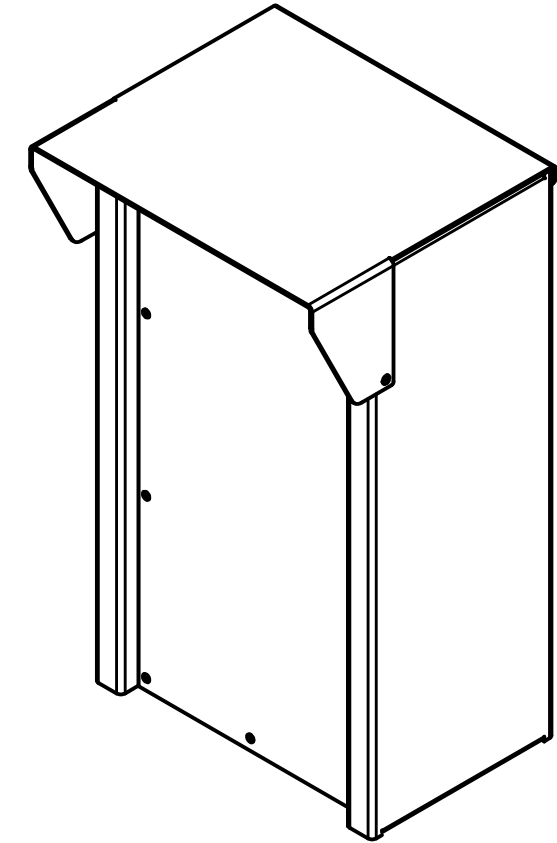


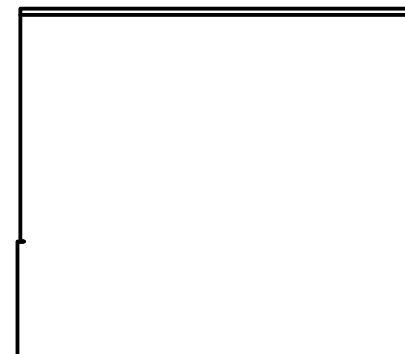
Button head Torx Securit M5 Screws

Aluminum panel



Remarks:

1. All dimensions in mm.
2. Front view of gate is from inside of property.
3. Accessories according to Halsang specification and requirements.
4. Product provided hot dip galvanized according to EN-ISO 1461.



	Edited by -	Order number -	Date 27.02.2020	Format A3	Scale 1 : 5
T O R E · Z Ä U N E · S C H R A N K E N BERATUNG PLANUNG FERTIGUNG MONTAGE <b>Dressel</b> ■ I M M E R A U F D R A H T				Remarks -	Material Steel
Drawing TRN Console			Number 01234.00.A		